

# ALEXIA

Art.-Nr.

265346  
265347

400  
400  
350  
mm

1/4  
Z0



30min



≤ 0,5 kg



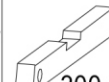
3m



PZ 2

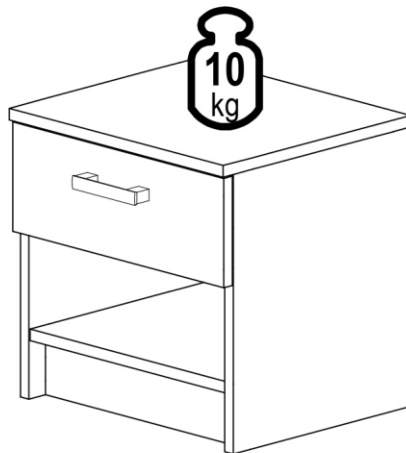


4



300 mm

| ID    | ID |            |    |     |
|-------|----|------------|----|-----|
| 17105 | ②  | 384*330*16 | 1x | 1/1 |
| 17106 | ③  | 366*328*16 | 1x | 1/1 |
| 17107 | ④  | 366*80*16  | 1x | 1/1 |
| 17108 | ⑤  | 384*330*16 | 1x | 1/1 |
| 17109 | ⑥  | 400*350*16 | 1x | 1/1 |
| 17110 | ⑦  | 314*394*3  | 1x | 1/1 |
| 17111 | ⑧  | 394*150*16 | 1x | 1/1 |
| 13681 | ⑨  | 320*120*16 | 1x | 1/1 |
| 06102 | ⑩  | 328*100*16 | 1x | 1/1 |
| 13682 | ⑪  | 320*120*16 | 1x | 1/1 |
| 16822 | ⑫  | 326*338*3  | 1x | 1/1 |



MM

150

140

130

120

110

100

90

80

70

60

50

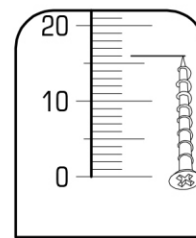
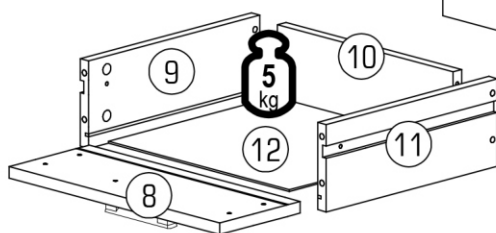
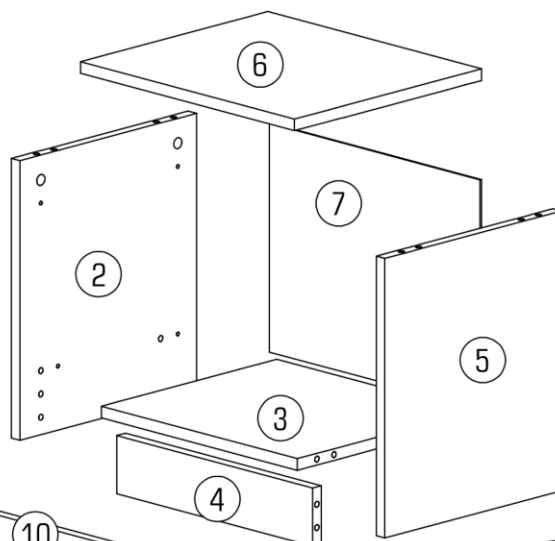
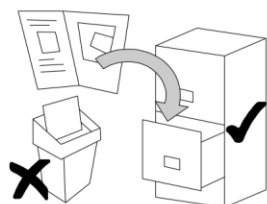
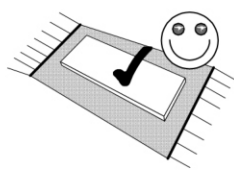
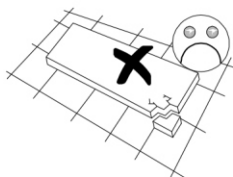
40

30

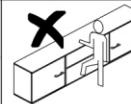
20






10

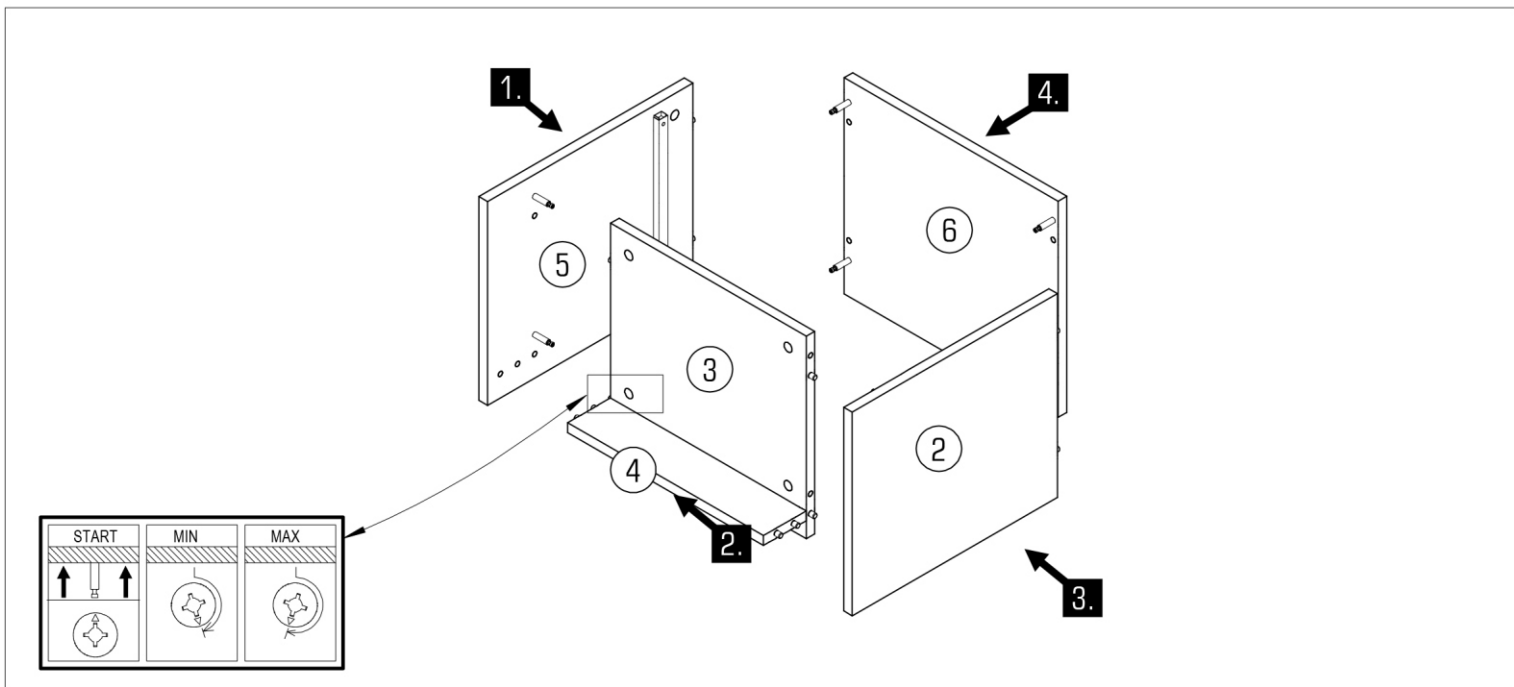
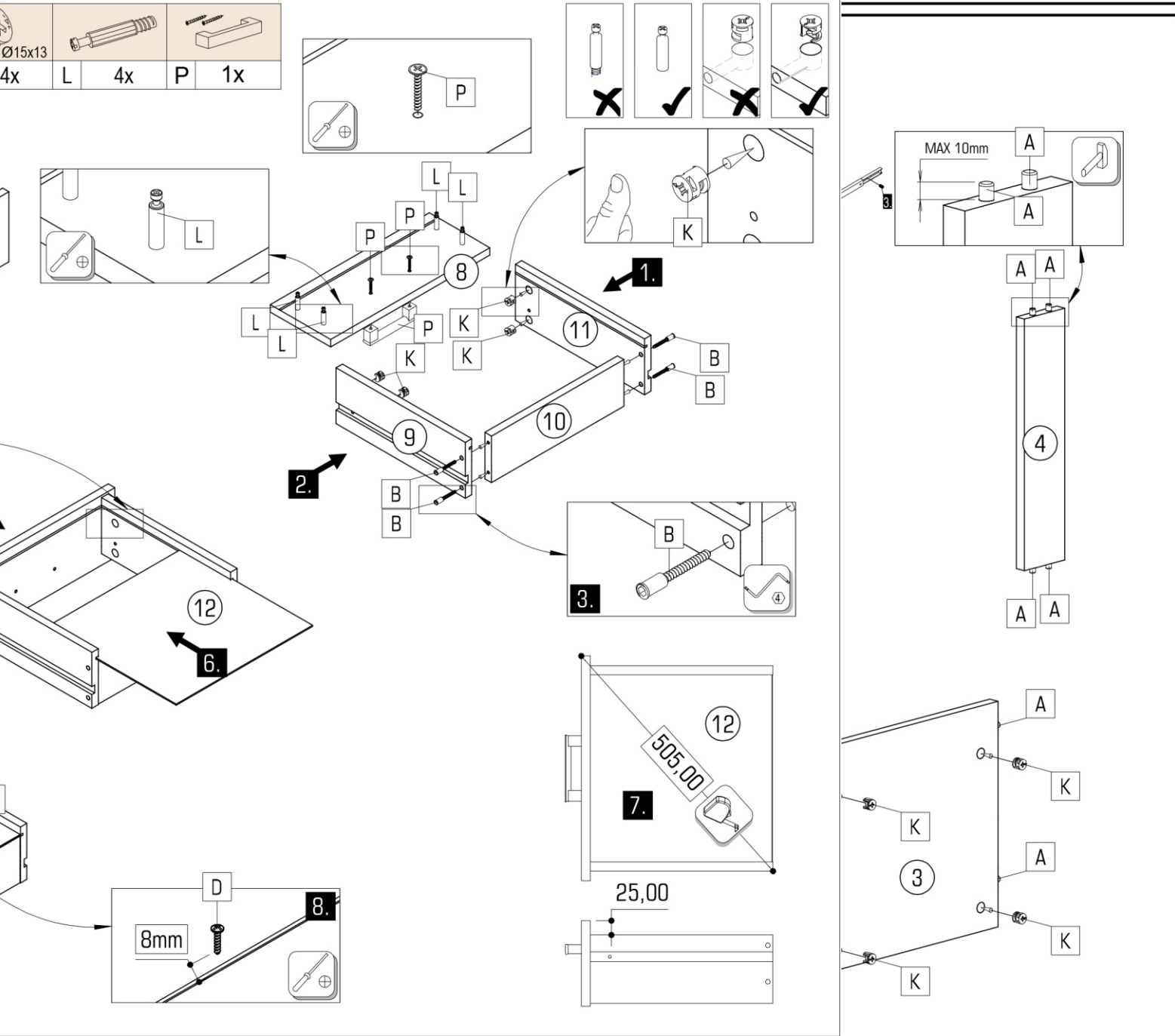
0

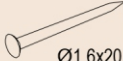


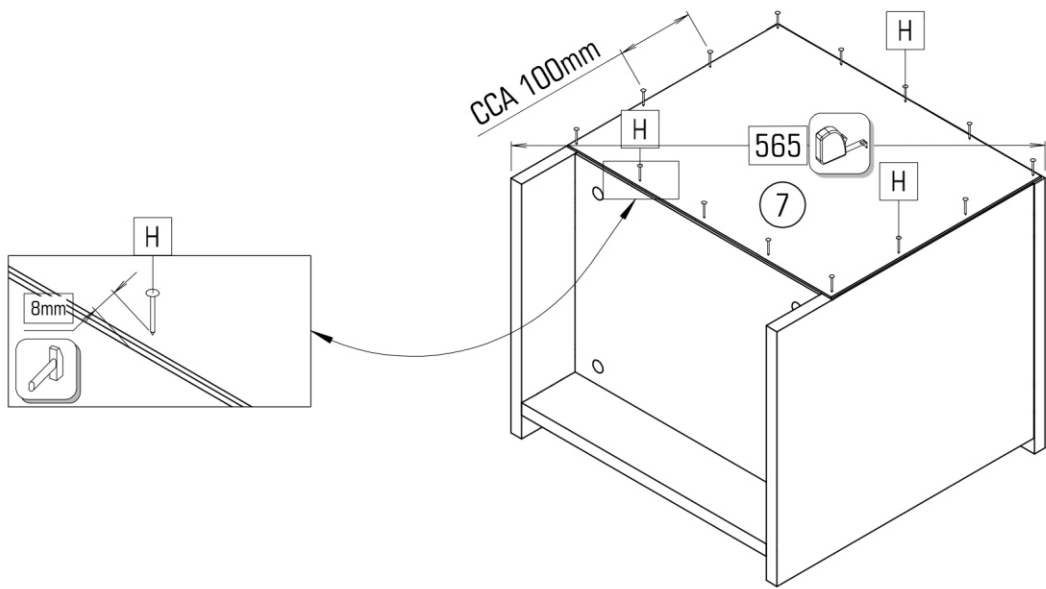
|          |     |          |     |          |     |          |    |          |    |          |    |          |    |          |     |
|----------|-----|----------|-----|----------|-----|----------|----|----------|----|----------|----|----------|----|----------|-----|
| 27000.00 |     | 22300.00 |     | 22800.01 |     | 22244.01 |    | 22502.00 |    | 22705.00 |    | 30091.00 |    | 21102.00 |     |
| A        | 12x | B        | 4x  | C        | 1x  | D        | 3x | E        | 2x | F        | 4x | G        | 4x | H        | 25x |
| 8402.03  |     | 70013.01 |     | 70021.01 |     |          |    | 33019.00 |    | 32014.00 |    |          |    |          |     |
| J        | 2x  | K        | 12x | L        | 12x | M        | 8x | N        | 1x | P        | 1x |          |    |          |     |





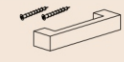


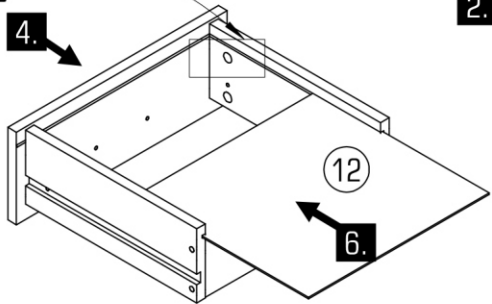
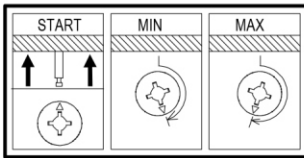
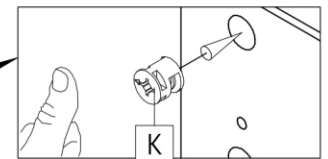
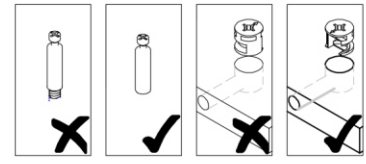
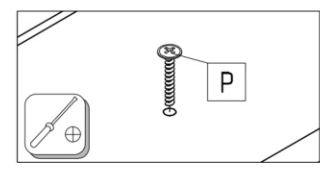
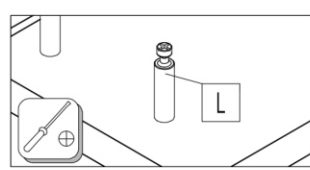
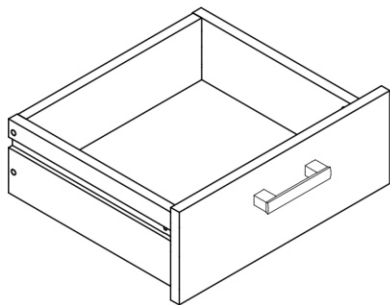
|  |   |  |  |  |
|--|---|--|--|--|
|  Ø15x13 |  |  |  |  |
| 4x   | L   | 4x   | P  | 1x   |



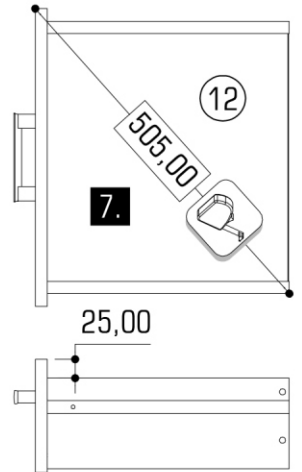
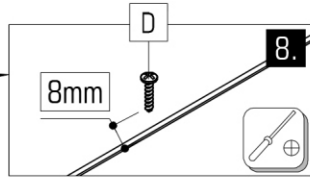
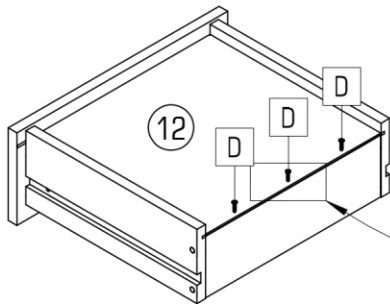
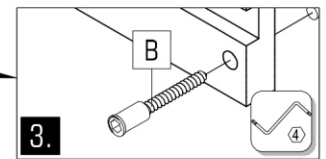
|  |         |
|--|---------|
|  | Ø1,6x20 |
| H  | 25x     |






|  |       |   |         |   |        |   |    |   |    |
|--|-------|---|---------|---|--------|---|----|---|----|
|  | Ø7x50 |  | Ø3,5x16 |  | Ø15x13 |  |    |  |    |
| B  | 4x    | D   | 3x      | K   | 4x     | L   | 4x | P   | 1x |



2.



|   |   |   |
|---|---|---|
|  |  |  |
| M4x12   | Ø8  |   |
| E 2x  | J 2x  | M 8x  |

